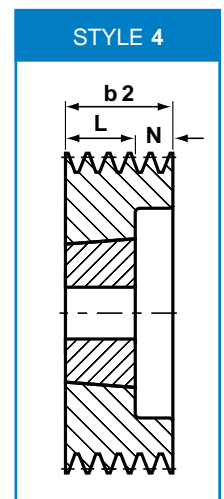
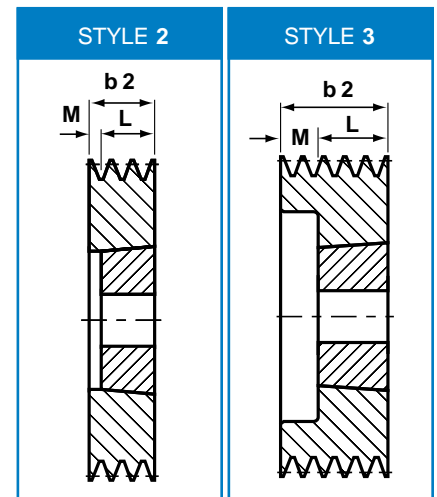
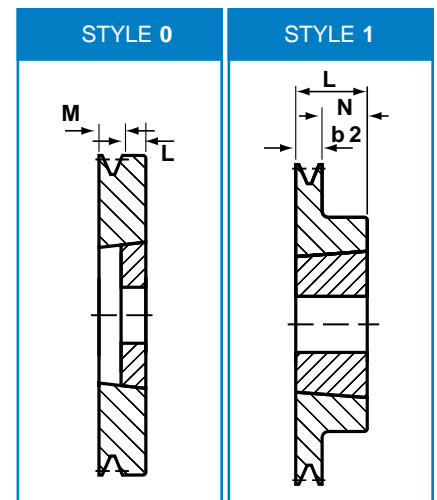
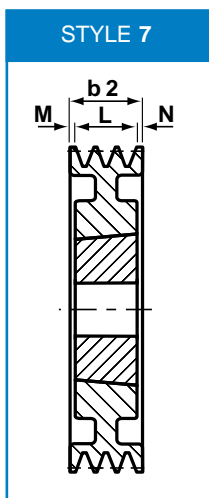
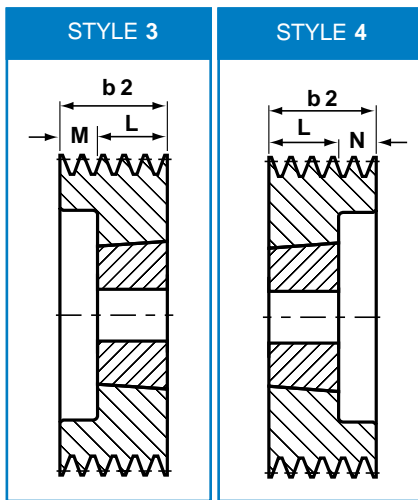
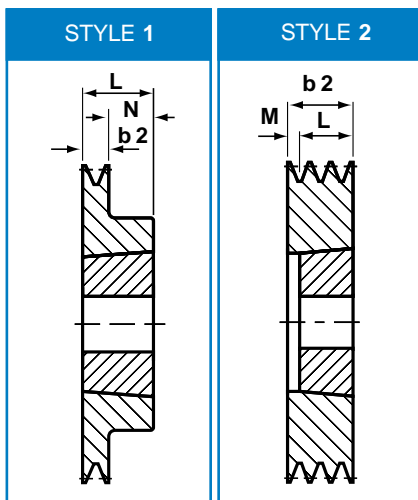


Pitch Dia. dw mm	Outside Dia. du mm	Groove No.	Bush Size	Max Bore mm	Pulley Style	Pulley Config.	Rim Width b2 mm	L mm	M mm	N mm	Weight kg
56	60	1	1008	25	0	S	-	23	14.0	-	0.5
56	60	2	1108	28	0	S	-	23	26.0	-	0.5
60	64	1	1008	25	0	S	-	23	14.0	-	0.3
60	64	2	1108	28	0	S	-	23	26.0	-	0.7
63	67	1	1108	28	1	S	16	23	-	7.0	0.3
63	67	2	1108	28	2	S	28	23	5.0	-	0.3
63	67	3	1108	28	3	S	40	23	17.0	-	0.5
67	71	1	1108	28	1	S	16	23	-	7.0	0.3
67	71	2	1108	28	2	S	28	23	5.0	-	0.4
67	71	3	1108	28	3	S	40	23	17.0	-	0.6
71	75	1	1108	28	1	S	16	23	-	7.0	0.4
71	75	2	1108	28	2	S	28	23	5.0	-	0.5
71	75	3	1108	28	3	S	40	23	17.0	-	0.6
71	75	4	1108	28	3	S	52	23	29	-	0.8
75	79	1	1108	28	1	S	16	23	-	7.0	0.4
75	79	2	1210	32	2	S	28	26	2.0	-	0.6
75	79	3	1210	32	3	S	40	26	14.0	-	0.6
75	79	4	1210	32	3	S	52	26	27	-	0.9
80	84	1	1210	32	1	S	16	26	-	10.0	0.5
80	84	2	1210	32	2	S	28	26	2.0	-	0.6
80	84	3	1210	32	3	S	40	26	14.0	-	0.8
80	84	4	1210	32	3	S	52	26	26.0	-	0.9
85	89	1	1210	32	1	S	16	26	-	10.0	0.6
85	89	2	1610	42	2	S	28	26	2.0	-	0.7
85	89	3	1610	42	3	S	40	26	14.0	-	0.8
85	89	4	1610	42	3	S	52	26	26.0	-	0.9
85	89	5	1610	42	3	S	64	26	38.0	-	1.3
90	94	1	1210	32	1	S	16	26	-	10.0	0.7
90	94	2	1610	42	2	S	28	26	2.0	-	0.7
90	94	3	1610	42	3	S	40	26	14.0	-	0.9
90	94	4	1610	42	3	S	52	26	26.0	-	1.1
90	94	5	1610	42	3	S	64	26	38.0	-	1.4
90	94	6	1610	42	3	S	76	26	50	-	1.6
95	99	1	1210	32	1	S	16	26	-	10.0	0.8
95	99	2	1610	42	2	S	28	26	2.0	-	0.8
95	99	3	1610	42	3	S	40	26	14.0	-	1.1
95	99	4	1610	42	3	S	52	26	26.0	-	1.3
95	99	5	1610	42	3	S	64	26	38.0	-	1.6
95	99	6	1610	42	3	S	76	26	50	-	1.8
100	104	1	1210	32	1	S	16	26	-	10.0	0.8
100	104	2	1610	42	2	S	28	26	2.0	-	1.0
100	104	3	1610	42	3	S	40	26	14.0	-	1.2
100	104	4	1610	42	3	S	52	26	26.0	-	1.4
100	104	5	2012	50	3	S	64	32	32.0	-	1.6
100	104	6	2012	50	3	S	76	32	44.0	-	1.9
106	110	1	1610	42	1	S	16	26	-	10.0	0.9
106	110	2	1610	42	2	S	28	26	2.0	-	1.2
106	110	3	1610	42	3	S	40	26	14.0	-	1.4
106	110	4	1610	42	3	S	52	26	26.0	-	1.6
106	110	5	2012	50	3	S	64	32	32.0	-	1.9
106	110	6	2012	50	3	S	76	32	44.0	-	2.2
112	116	1	1610	42	1	S	16	26	-	10.0	1.0
112	116	2	1610	42	2	S	28	26	2.0	-	1.4
112	116	3	2012	50	3	S	40	32	8.0	-	1.5
112	116	4	2012	50	3	S	52	32	20.0	-	1.7
112	116	5	2012	50	3	S	64	32	32.0	-	2.2
112	116	6	2012	50	3	S	76	32	44.0	-	2.5
118	122	1	1610	42	1	S	16	26	-	10.0	1.1
118	122	2	1610	42	2	S	28	26	2.0	-	1.6
118	122	3	2012	50	3	S	40	32	8.0	-	1.7
118	122	4	2012	50	4	S	52	32	-	20.0	2.0
118	122	5	2012	50	3	S	64	32	32.0	-	2.3
118	122	6	2517	60	3	S	76	45	31.0	-	2.5



Pulley Configuration: S = Solid, P = Plate, A = Arm.

SPZ

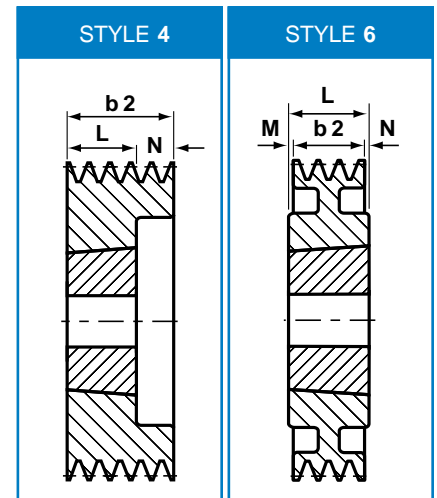


Pitch Dia. dw mm	Outside Dia. du mm	Groove No.	Bush Size	Max Bore mm	Pulley Style	Pulley Config.	Rim Width b2 mm	L mm	M mm	N mm	Weight kg
125	129	1	1610	42	1	S	16	26	-	10.0	1.2
125	129	2	1610	42	2	S	28	26	2.0	-	1.8
125	129	3	2012	50	3	S	40	32	8.0	-	2.1
125	129	4	2012	50	4	S	52	32	-	20.0	2.3
125	129	5	2012	50	3	S	64	32	32.0	-	2.7
125	129	6	2517	60	3	S	76	45	31.0	-	3.0
132	136	1	1610	42	1	S	16	26	-	10.0	1.4
132	136	2	1610	42	2	S	28	26	2.0	-	2.1
132	136	3	2012	50	3	S	40	32	8.0	-	2.4
132	136	4	2012	50	3	S	52	32	20.0	-	2.7
132	136	5	2517	60	3	S	64	45	19.0	-	3.2
132	136	6	2517	60	3	S	76	45	31.0	-	3.5
140	144	1	1610	42	1	S	16	26	-	10.0	1.6
140	144	2	1610	42	2	S	28	26	2.0	-	2.4
140	144	3	2012	50	4	S	40	32	-	8.0	2.8
140	144	4	2012	50	4	S	52	32	-	20.0	3.2
140	144	5	2517	60	4	S	64	45	-	19.0	3.5
140	144	6	2517	60	4	S	76	45	-	31.0	3.9
150	154	1	1610	42	1	S	16	26	-	10.0	1.9
150	154	2	2012	50	1	S	28	32	-	4.0	2.6
150	154	3	2012	50	4	S	40	32	-	8.0	3.4
150	154	4	2517	60	4	S	52	45	-	7.0	3.9
150	154	5	2517	60	4	S	64	45	-	19.0	4.3
150	154	6	2517	60	4	S	76	45	-	31.0	4.7
160	164	1	1610	42	1	S	16	26	-	10.0	2.1
160	164	2	2012	50	1	S	28	32	-	4.0	3.1
160	164	3	2012	50	4	S	40	32	-	8.0	3.9
160	164	4	2517	60	4	S	52	45	-	7.0	4.7
160	164	5	2517	60	4	S	64	45	-	19.0	5.1
160	164	6	2517	60	4	S	76	45	-	31.0	5.5
170	174	1	1610	42	1	P	16	26	-	10.0	1.7
170	174	2	2012	50	1	S	28	32	-	4.0	3.4
170	174	3	2012	50	4	P	40	32	-	8.0	4.3
170	174	4	2517	60	4	S	52	45	-	7.0	5.4
170	174	5	2517	60	4	S	64	45	-	19.0	6.1
170	174	6	2517	60	4	S	76	45	-	31.0	6.7
180	184	1	1610	42	1	P	16	26	-	10.0	1.8
180	184	2	2012	50	1	P	28	32	-	4.0	2.7
180	184	3	2012	50	4	P	40	32	-	8.0	3.3
180	184	4	2517	60	4	S	52	45	-	7.0	6.5
180	184	5	2517	60	4	S	64	45	-	19.0	6.9
180	184	6	2517	60	4	S	76	45	-	31.0	7.3
190	194	1	1610	50	1	P	16	26	-	10.0	2.5
190	194	2	2012	50	1	P	28	32	-	4.0	3.2
190	194	3	2012	50	4	P	40	32	-	8.0	5.1
190	194	4	2517	60	4	P	52	45	-	7.0	5.5
190	194	5	2517	60	7	P	64	45	9.5	9.5	6.5
190	194	6	2517	60	7	P	76	45	15.5	15.5	7.2
190	194	8	2517	75	7	P	100	45	27.5	27.5	8.5
200	204	1	2012	50	1	P	16	32	-	16.0	3.2
200	204	2	2012	50	1	P	28	32	-	4.0	3.4
200	204	3	2012	50	4	P	40	32	-	8.0	3.6
200	204	4	2517	60	4	P	52	45	-	7.0	5.4
200	204	5	2517	60	7	P	64	45	9.5	9.5	6.1
200	204	6	2517	60	7	P	76	45	15.5	15.5	6.6
200	204	8	2517	75	7	P	100	45	27.5	27.5	9.6

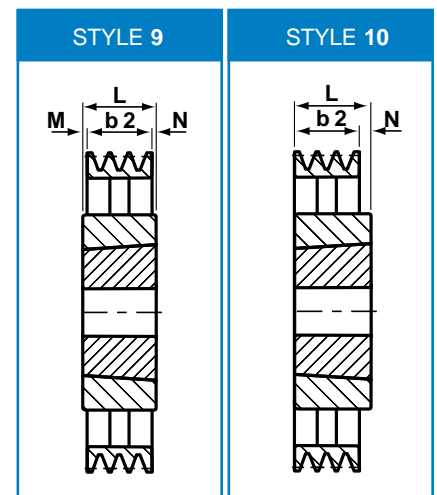
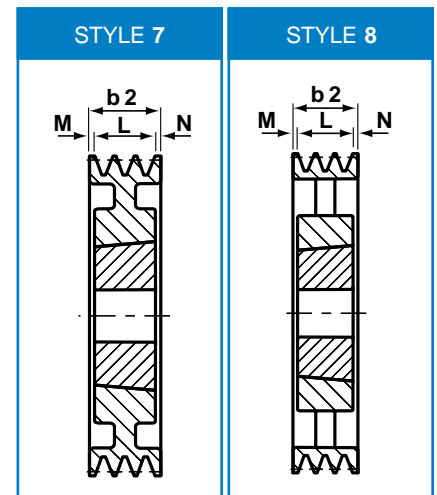
Pulley Configuration: S = Solid, P = Plate, A = Arm.

Pitch Dia. dw mm	Outside Dia. du mm	Groove No.	Bush Size	Max Bore mm	Pulley Style	Pulley Config.	Rim Width b2 mm	L mm	M mm	N mm	Weight kg
224	228	1	2012	50	1	P	16	32	-	16.0	2.8
224	228	2	2012	50	1	P	28	32	-	4.0	3.5
224	228	3	2012	50	4	P	40	32	-	8.0	4.2
224	228	4	2517	60	4	P	52	45	-	7.0	6.3
224	228	5	2517	60	7	P	64	45	9.5	9.5	7.0
224	228	6	2517	60	7	P	76	45	15.5	15.5	7.6
224	228	8	2517	75	7	P	100	45	27.5	27.5	12.3
250	254	1	2012	50	1	P	16	32	-	16.0	3.2
250	254	2	2012	50	1	P	28	32	-	4.0	3.9
250	254	3	2012	50	4	P	40	32	-	8.0	4.7
250	254	4	2517	60	4	P	52	45	-	7.0	6.8
250	254	5	2517	60	7	P	64	45	9.5	9.5	8.1
250	254	6	2517	60	8	A	76	45	15.5	15.5	8.3
250	254	8	2517	75	8	A	100	45	27.5	27.5	10.2
280	284	1	2012	50	6	P	16	32	8.0	8.0	4.6
280	284	2	2012	50	1	P	28	32	-	4.0	5.4
280	284	3	2517	60	1	P	40	45	-	5.0	7.3
280	284	4	2517	60	4	P	52	45	-	7.0	8.1
280	284	5	2517	60	7	P	64	45	9.5	9.5	9.8
280	284	6	2517	60	8	A	76	45	15.5	15.5	9.9
280	284	8	2517	75	8	A	100	45	27.5	27.5	11.2
315	319	1	2012	50	6	P	16	32	8.0	8.0	5.8
315	319	2	2012	50	1	P	28	32	-	4.0	6.4
315	319	3	2517	60	1	P	40	45	-	5.0	8.3
315	319	4	2517	60	4	P	52	45	-	7.0	9.2
315	319	5	2517	60	7	P	64	45	9.5	9.5	11.0
315	319	6	2517	60	8	A	76	45	15.5	15.5	11.5
315	319	8	2517	75	8	A	100	45	27.5	27.5	13.9
355	359	1	2012	50	9	A	16	32	8.0	8.0	4.0
355	359	2	2012	50	10	A	28	32	-	4.0	6.5
355	359	3	2517	60	10	A	40	45	-	5.0	8.9
355	359	4	2517	60	4	A	52	45	-	7.0	9.5
355	359	5	2517	60	8	A	64	45	9.5	9.5	14.8
355	359	6	2517	60	8	A	76	45	15.5	15.5	14.8
355	359	8	2517	75	8	A	100	45	27.5	27.5	17.0
400	404	1	2012	50	9	A	16	32	8.0	8.0	6.0
400	404	2	2517	60	10	A	28	45	-	17.0	8.8
400	404	3	2517	60	10	A	40	45	-	5.0	10.5
400	404	4	2517	60	4	A	52	45	-	7.0	11.5
400	404	5	3020	75	8	A	64	52	6.0	6.0	13.8
400	404	6	3030	75	10	A	76	77	-	1.0	17.6
400	404	8	3030	75	8	A	100	76	12.0	12.0	19.0
450	454	2	2517	60	9	A	28	45	8.5	8.5	11.1
450	454	3	2517	65	10	A	40	45	-	5.0	11.6
450	454	4	3020	75	8	A	52	52	-	-	11.7
450	454	5	3020	75	8	A	64	52	6.0	6.0	18.0
450	454	6	3030	75	10	A	76	77	-	1.0	21.6
450	454	8	3030	90	8	A	100	76	12.0	12.0	22.6
500	504	2	2517	60	9	A	28	45	8.5	8.5	12.2
500	504	3	2517	65	10	A	40	45	-	5.0	10.1
500	504	4	3020	75	8	A	52	52	-	-	12.4
500	504	5	3030	75	9	A	64	77	6.5	6.5	22.3
500	504	6	3030	75	10	A	76	77	-	1.0	24.5
500	504	8	3030	90	8	A	100	77	11.5	11.5	28.0
630	634	2	2517	60	9	A	28	45	8.5	8.5	12.8
630	634	3	2517	65	10	A	40	45	-	5.0	17.4
630	634	4	3030	75	9	A	52	77	12.5	12.5	24.0
630	634	5	3030	75	9	A	64	77	6.5	6.5	27.6
630	634	6	3535	90	9	A	76	89	6.5	6.5	33.0
630	634	8	3535	90	8	A	100	89	5.5	5.5	40.0

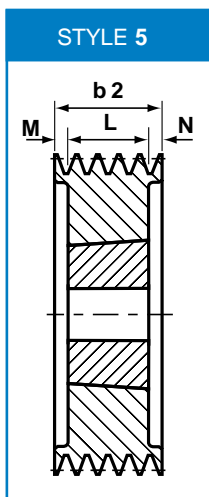
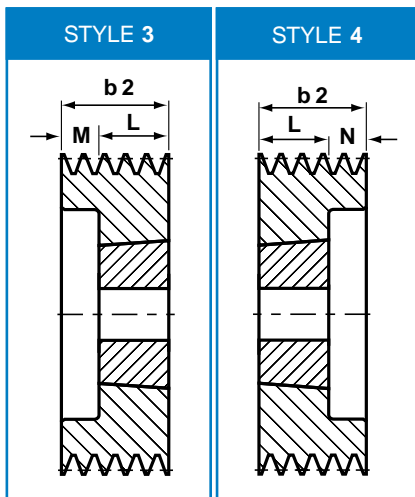
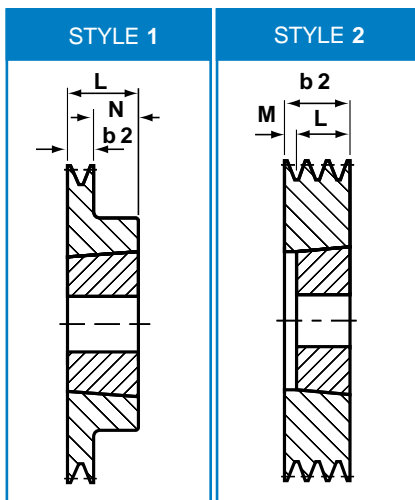
Pulley Configuration: S = Solid, P = Plate, A = Arm.



See facing page for pulley style 1



SPA

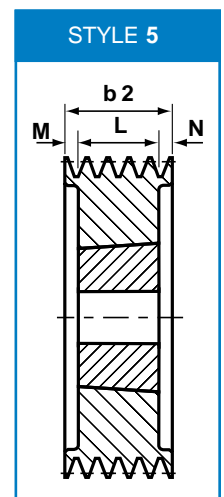
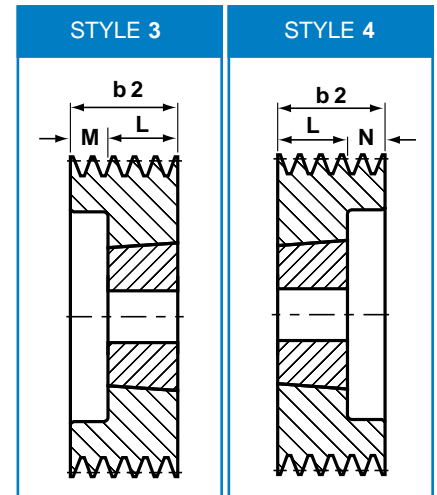
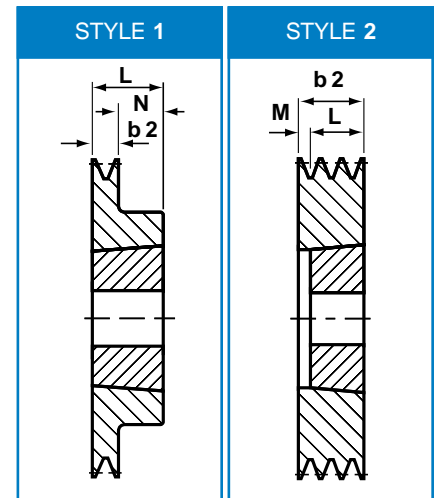


Pitch Dia. dw mm	Outside Dia. du mm	Groove No.	Bush Size	Max Bore mm	Pulley Style	Pulley Config.	Rim Width b2 mm	L mm	M mm	N mm	Weight kg
67	72.5	1	1108	28	1	S	20	23	-	3.0	0.4
67	72.5	2	1108	28	2	S	35	23	12.0	-	0.6
71	76.5	1	1108	28	1	S	20	23	-	3.0	0.4
71	76.5	2	1108	28	2	S	35	23	12.0	-	0.6
71	76.5	3	1108	28	2	S	50	23	27.0	-	0.8
75	80.5	1	1108	28	1	S	20	23	-	3.0	0.5
75	80.5	2	1108	28	2	S	35	23	12.0	-	0.6
75	80.5	3	1108	28	2	S	50	23	27.0	-	0.8
80	85.5	1	1210	32	1	S	20	26	-	6.0	0.6
80	85.5	2	1210	32	3	S	35	26	9.0	-	0.6
80	85.5	3	1210	32	3	S	50	26	24.0	-	0.9
85	90.5	1	1210	32	1	S	20	26	-	6.0	0.6
85	90.5	2	1210	32	3	S	35	26	9.0	-	0.7
85	90.5	3	1210	32	3	S	50	26	24.0	-	1.1
90	95.5	1	1210	32	1	S	20	26	-	6.0	0.8
90	95.5	2	1610	42	3	S	35	26	9.0	-	0.8
90	95.5	3	1610	42	3	S	50	26	24.0	-	1.1
90	95.5	4	1615	42	3	S	65	38	27.0	-	1.4
95	100.5	1	1210	32	1	S	20	26	-	6.0	0.9
95	100.5	2	1610	42	3	S	35	26	9.0	-	0.9
95	100.5	3	1610	42	3	S	50	26	24.0	-	1.3
95	100.5	4	1615	42	3	S	65	38	27.0	-	1.7
100	105.5	1	1610	42	1	S	20	26	-	6.0	0.9
100	105.5	2	1610	42	3	S	35	26	9.0	-	1.1
100	105.5	3	1610	42	3	S	50	26	24.0	-	1.4
100	105.5	4	1615	42	3	S	65	38	27.0	-	1.9
100	105.5	5	1610	42	3	S	80	26	54.0	-	2.0
100	105.5	6	1615	42	3	S	95	38	57.0	-	2.4
106	111.5	1	1610	42	1	S	20	26	-	6.0	0.9
106	111.5	2	1610	42	3	S	35	26	9.0	-	1.2
106	111.5	3	1610	42	3	S	50	26	24.0	-	1.6
106	111.5	4	2012	50	3	S	65	32	33.0	-	1.9
106	111.5	5	2012	50	3	S	80	32	48.0	-	2.3
106	111.5	6	2012	50	3	S	95	32	63.0	-	2.6
112	117.5	1	1610	42	1	S	20	26	-	6.0	1.0
112	117.5	2	1610	42	3	S	35	26	9.0	-	1.4
112	117.5	3	2012	50	3	S	50	32	18.0	-	1.8
112	117.5	4	2012	50	3	S	65	32	33.0	-	2.2
112	117.5	5	2012	50	3	S	80	32	48.0	-	2.6
112	117.5	6	2012	50	3	S	95	32	63.0	-	2.7
118	123.5	1	1610	42	1	S	20	26	-	6.0	1.2
118	123.5	2	1610	42	3	S	35	26	9.0	-	1.6
118	123.5	3	2012	50	3	S	50	32	18.0	-	2.1
118	123.5	4	2012	50	3	S	65	32	33.0	-	2.5
118	123.5	5	2012	50	4	S	80	32	-	48.0	2.8
118	123.5	6	2012	50	4	S	95	32	-	63.0	2.9
125	130.5	1	1610	42	1	S	20	26	-	6.0	1.4
125	130.5	2	1610	42	4	S	35	26	-	10.0	1.9
125	130.5	3	2012	50	4	S	50	32	-	18.0	2.3
125	130.5	4	2012	50	4	S	65	32	-	33.0	2.8
125	130.5	5	2012	50	5	S	80	32	24.0	24.0	3.3
125	130.5	6	2012	50	5	S	95	32	31.5	31.5	3.8
132	137.5	1	1610	42	1	S	20	26	-	6.0	1.6
132	137.5	2	2012	50	4	S	35	32	-	3.0	2.2
132	137.5	3	2012	50	4	S	50	32	-	18.0	2.7
132	137.5	4	2517	60	4	S	65	45	-	20.0	3.2
132	137.5	5	2517	60	5	S	80	45	17.5	17.5	3.8
132	137.5	6	2517	60	5	S	95	45	25.0	25.0	3.8

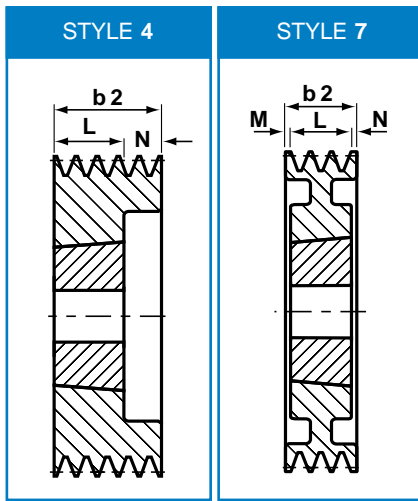
Pulley Configuration: S = Solid, P = Plate, A = Arm.

Pitch Dia. dw mm	Outside Dia. du mm	Groove No.	Bush Size	Max Bore mm	Pulley Style	Pulley Config.	Rim Width b2 mm	L mm	M mm	N mm	Weight kg
140	145.5	1	1610	42	1	S	20	26	-	6.0	1.8
140	145.5	2	2012	50	3	S	35	32	3.0	-	2.6
140	145.5	3	2517	60	4	S	50	45	-	5.0	3.0
140	145.5	4	2517	60	4	S	65	45	-	20.0	3.6
140	145.5	5	2517	60	5	S	80	45	17.5	17.5	4.1
140	145.5	6	2517	60	5	S	95	45	25.0	25.0	4.1
150	155.5	1	1610	42	1	S	20	26	-	6.0	2.2
150	155.5	2	2012	50	3	S	35	32	3.0	-	3.1
150	155.5	3	2517	60	4	S	50	45	-	5.0	3.7
150	155.5	4	2517	60	4	S	65	45	-	20.0	4.3
150	155.5	5	2517	60	5	S	80	45	17.5	17.5	4.9
150	155.5	6	2517	60	5	S	95	45	25.0	25.0	5.7
160	165.5	1	1610	42	1	S	20	26	-	6.0	2.5
160	165.5	2	2012	50	3	S	35	32	3.0	-	3.8
160	165.5	3	2517	60	4	S	50	45	-	5.0	4.5
160	165.5	4	2517	60	4	S	65	45	-	20.0	5.1
160	165.5	5	2517	60	5	S	80	45	17.5	17.5	5.8
160	165.5	6	2517	60	5	S	95	45	25.0	25.0	6.4
170	175.5	1	1610	42	1	P	20	26	-	6.0	2.0
170	175.5	2	2012	50	2	S	35	32	3.0	-	3.3
170	175.5	3	2517	60	4	S	50	45	-	5.0	4.5
170	175.5	4	2517	60	4	S	65	45	-	20.0	5.9
170	175.5	5	2517	75	5	S	80	45	17.5	17.5	6.6
170	175.5	6	2517	60	5	S	95	45	25.0	25.0	7.3
180	185.5	1	1610	42	1	P	20	26	-	6.0	2.4
180	185.5	2	2012	50	3	S	35	32	3.0	-	4.8
180	185.5	3	2517	60	4	S	50	45	-	5.0	6.2
180	185.5	4	2517	60	4	S	65	45	-	20.0	6.9
180	185.5	5	3020	75	4	S	80	52	-	28.0	7.0
180	185.5	6	3020	75	5	S	95	52	21.5	21.5	8.5
190	195.5	1	2012	50	1	P	20	32	-	12.0	2.7
190	195.5	2	2012	60	1	P	35	32	-	3.0	4.4
190	195.5	3	2517	60	1	P	50	45	-	5.0	5.5
190	195.5	4	3020	75	4	S	65	52	-	13.0	7.2
190	195.5	5	3020	75	4	S	80	52	-	28.0	7.7
190	195.5	6	3020	75	5	S	95	52	21.5	21.5	10.0
200	205.5	1	2012	50	1	P	20	32	-	12.0	3.2
200	205.5	2	2517	60	1	P	35	45	-	10.0	5.0
200	205.5	3	2517	60	4	P	50	45	-	5.0	5.8
200	205.5	4	3020	75	4	S	65	52	-	13.0	8.4
200	205.5	5	3020	75	4	S	80	52	-	28.0	9.3
200	205.5	6	3020	75	5	S	95	52	21.5	21.5	12.0
212	217.5	1	2012	50	1	P	20	32	-	12.0	2.9
212	217.5	2	2517	60	1	P	35	45	-	10.0	4.7
212	217.5	3	2517	60	4	P	50	45	-	5.0	6.0
212	217.5	4	3020	75	4	S	65	52	-	13.0	7.8
212	217.5	5	3020	75	5	S	80	52	14.0	14.0	9.5
212	217.5	6	3020	75	5	S	95	52	21.5	21.5	14.0
224	229.5	1	2012	50	1	P	20	32	-	12.0	3.7
224	229.5	2	2517	60	1	P	35	45	-	10.0	5.7
224	229.5	3	2517	60	4	P	50	45	-	5.0	6.7
224	229.5	4	3020	75	4	P	65	52	-	13.0	11.0
224	229.5	5	3020	75	4	S	80	52	-	28.0	12.0
224	229.5	6	3020	75	5	S	95	52	21.5	21.5	14.8
236	241.5	1	2012	50	1	P	20	32	-	12.0	3.2
236	241.5	2	2517	60	1	P	35	45	-	10.0	5.4
236	241.5	3	2517	60	4	P	50	45	-	5.0	6.6
236	241.5	4	3020	75	4	S	65	52	-	13.0	9.8
236	241.5	5	3020	75	4	S	80	52	-	28.0	12.2
236	241.5	6	3020	75	5	S	95	52	21.5	21.5	12.5

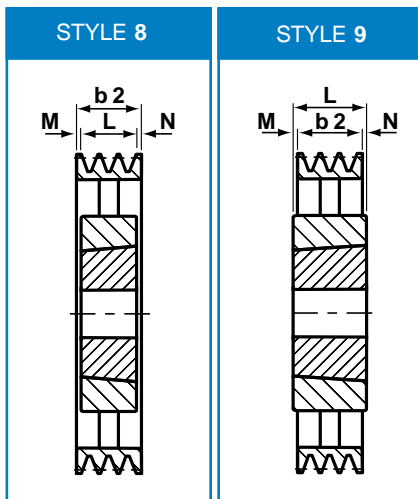
Pulley Configuration: S = Solid, P = Plate, A = Arm.



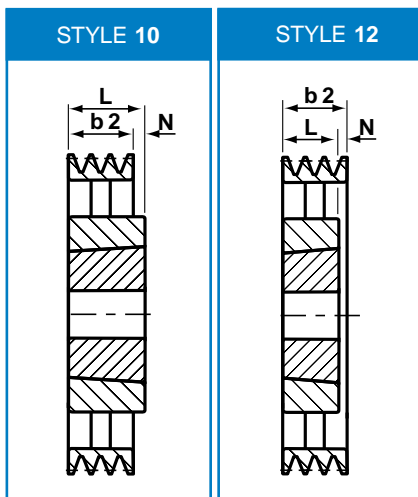
SPA



See facing page for pulley style 1



Pulley Configuration: S = Solid, P = Plate, A = Arm.

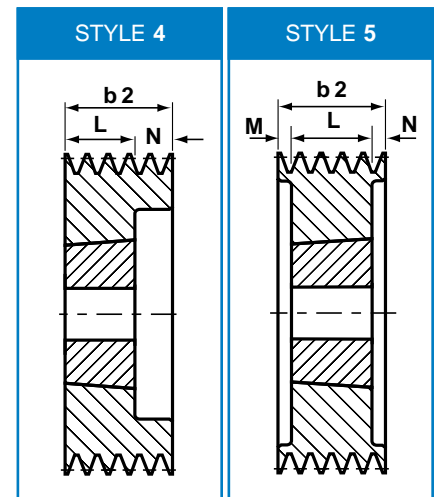
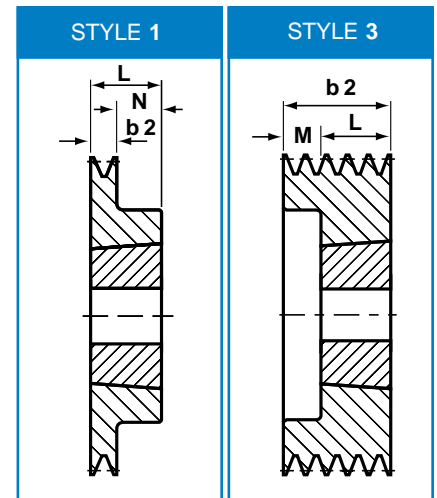


Pitch Dia. dw mm	Outside Dia. du mm	Groove No.	Bush Size	Max Bore mm	Pulley Style	Pulley Config.	Rim Width b2 mm	L mm	M mm	N mm	Weight kg
250	255.5	1	2012	50	1	P	20	32	-	12.0	4.4
250	255.5	2	2517	60	1	P	35	45	-	10.0	6.4
250	255.5	3	2517	60	4	P	50	45	-	5.0	7.5
250	255.5	4	3020	75	4	P	65	52	-	13.0	9.8
250	255.5	5	3020	75	4	P	80	52	-	28.0	11.0
250	255.5	6	3020	75	7	P	95	52	21.5	21.5	17.5
280	285.5	1	2012	50	1	P	20	32	-	12.0	5.2
280	285.5	2	2517	60	1	P	35	45	-	10.0	7.3
280	285.5	3	2517	60	4	P	50	45	-	5.0	8.4
280	285.5	4	3020	75	7	P	65	52	6.5	6.5	11.0
280	285.5	5	3535	90	1	P	80	89	-	9.0	17.0
280	285.5	6	3535	90	4	P	95	89	-	6.0	19.1
300	305.5	1	2012	50	1	P	20	32	-	12.0	4.3
300	305.5	2	2517	60	1	P	35	45	-	10.0	6.2
300	305.5	3	3020	75	4	P	50	45	-	5.0	9.3
300	305.5	4	3020	75	7	P	65	52	6.5	6.5	12.4
300	305.5	5	3535	90	4	P	80	89	-	9.0	16.5
300	305.5	6	3535	90	4	P	95	89	-	6.0	19.5
315	320.5	1	2012	50	1	P	20	32	-	12.0	6.3
315	320.5	2	2517	60	1	P	35	45	-	10.0	9.2
315	320.5	3	3020	75	1	P	50	52	-	2.0	11.0
315	320.5	4	3020	75	7	P	65	52	6.5	6.5	13.0
315	320.5	5	3535	90	1	P	80	89	-	9.0	19.0
315	320.5	6	3535	90	4	P	95	89	-	6.0	24.0
355	360.5	1	2012	50	10	A	20	32	-	12.0	5.6
355	360.5	2	2517	60	10	A	35	45	-	10.0	9.0
355	360.5	3	3020	75	10	A	50	52	-	2.0	12.0
355	360.5	4	3020	75	8	A	65	52	6.5	6.5	13.0
355	360.5	5	3535	90	10	A	80	89	-	9.0	20.0
355	360.5	6	3535	90	12	A	95	89	-	6.0	24.2
400	405.5	1	2012	50	10	A	20	32	-	12.0	6.4
400	405.5	2	2517	60	10	A	35	45	-	10.0	10.0
400	405.5	3	3020	75	10	A	50	52	-	2.0	13.0
400	405.5	4	3020	75	8	A	65	52	6.5	6.5	14.5
400	405.5	5	3535	90	10	A	80	89	-	9.0	21.5
400	405.5	6	3535	90	12	A	95	89	-	6.0	25.1
450	455.5	1	2012	50	10	A	20	32	-	12.0	6.2
450	455.5	2	2517	60	10	A	35	45	-	10.0	11.5
450	455.5	3	3020	75	10	A	50	52	-	2.0	14.5
450	455.5	4	3020	75	8	A	65	52	6.5	6.5	16.5
450	455.5	5	3535	90	10	A	80	89	-	9.0	23.0
450	455.5	6	3535	90	12	A	95	89	-	6.0	40.0
500	505.5	1	2517	60	10	A	20	45	-	25.0	6.5
500	505.5	2	2517	60	10	A	35	45	-	10.0	12.5
500	505.5	3	3020	75	10	A	50	52	-	2.0	15.5
500	505.5	4	3020	75	8	A	65	52	6.5	6.5	18.0
500	505.5	5	3535	90	10	A	80	89	-	9.0	25.0
500	505.5	6	3535	90	12	A	95	89	-	6.0	54.2
560	565.5	2	3020	75	10	A	35	52	-	17.0	18.4
560	565.5	3	3020	75	10	A	50	52	-	2.0	16.0
560	565.5	4	3535	90	9	A	65	89	12.0	12.0	23.5
560	565.5	5	3535	90	10	A	80	89	-	9.0	27.0
560	565.5	6	3535	90	12	A	95	89	-	6.0	55.1
630	635.5	2	3020	75	10	A	35	52	-	17.0	20.5
630	635.5	3	3020	75	10	A	50	52	-	2.0	20.0
630	635.5	4	3535	90	10	A	65	89	-	24.0	28.0
630	635.5	5	3535	90	10	A	80	89	-	9.0	31.0
630	635.5	6	4040	100	10	A	95	102	-	7.0	56.3
800	805.5	2	3535	90	10	A	35	89	-	54.0	33.0
800	805.5	3	3535	90	10	A	50	89	-	39.0	36.0
800	805.5	4	3535	90	10	A	65	89	-	24.0	46.0
800	805.5	5	4040	100	9	A	80	102	11.0	11.0	55.5
800	805.5	6	4040	100	10	A	95	102	-	7.0	66.0

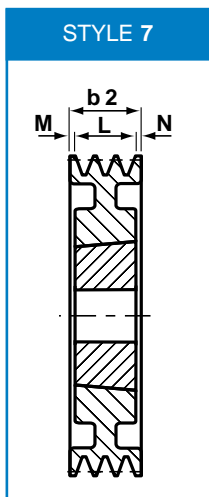
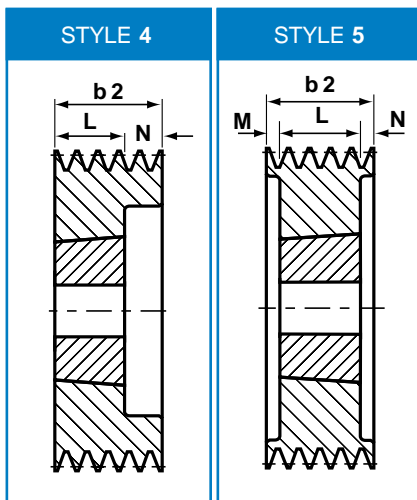
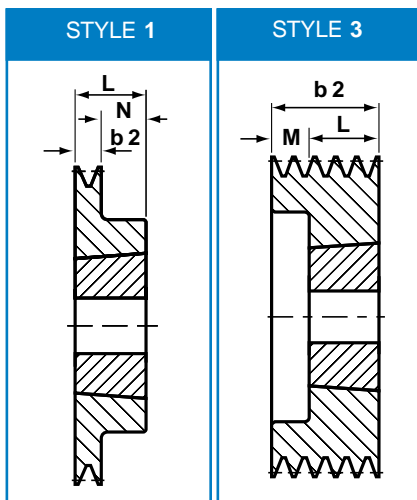
All dimensions in millimetres unless otherwise stated. Every effort has been taken to ensure that the data listed in this catalogue is correct. Challenge accepts no liability for any inaccuracies or damage caused

Pitch Dia. dw mm	Outside Dia. du mm	Groove No.	Bush Size	Max Bore mm	Pulley Style	Pulley Config.	Rim Width b2 mm	L mm	M mm	N mm	Weight kg
100	107	1	1610	42	1	S	25	26	-	1.0	0.9
100	107	2	1610	42	3	S	44	26	18.0	-	1.4
100	107	3	1610	42	3	S	63	26	37.0	-	1.9
106	113	1	1610	42	1	S	25	26	-	1.0	1.0
106	113	2	1610	42	3	S	44	26	18.0	-	1.5
106	113	3	1610	42	3	S	63	26	37.0	-	2.0
112	119	1	1610	42	1	S	25	26	-	1.0	1.2
112	119	2	1610	42	4	S	44	26	-	18.0	1.7
112	119	3	1610	42	3	S	63	26	37.0	-	2.3
118	125	1	1610	42	1	S	25	26	-	1.0	1.3
118	125	2	1610	42	4	S	44	26	-	18.0	1.9
118	125	3	1610	42	3	S	63	26	37.0	-	2.6
125	132	1	1610	42	1	S	25	26	-	1.0	1.5
125	132	2	2012	50	4	S	44	32	-	12.0	2.3
125	132	3	2012	50	4	S	63	32	-	31.0	2.3
125	132	4	2012	50	5	S	82	32	25.0	25.0	3.7
125	132	5	2012	50	3	S	101	32	69.0	-	4.4
132	139	1	1610	42	1	S	25	26	-	1.0	1.8
132	139	2	2012	50	4	S	44	32	-	12.0	2.4
132	139	3	2012	50	4	S	63	32	-	31.0	3.1
132	139	4	2012	50	5	S	82	32	25.0	25.0	3.8
132	139	5	2517	60	3	S	101	45	56.0	-	4.6
140	147	1	1610	42	1	S	25	26	-	1.0	2.1
140	147	2	2012	50	4	S	44	32	-	12.0	2.8
140	147	3	2012	50	4	S	63	32	-	31.0	3.6
140	147	4	2517	60	5	S	82	45	18.5	18.5	4.5
140	147	5	2517	60	5	S	101	45	28.0	28.0	5.3
140	147	6	2517	60	5	S	120	45	37.5	37.5	6.1
150	157	1	1610	42	1	S	25	26	-	1.0	2.5
150	157	2	2012	50	4	S	44	32	-	12.0	3.4
150	157	3	2517	60	4	S	63	45	-	18.0	4.1
150	157	4	2517	60	5	S	82	45	18.5	18.5	4.9
150	157	5	2517	60	5	S	101	45	28.0	28.0	5.8
150	157	6	2517	60	5	S	120	45	37.5	37.5	6.6
160	167	1	1610	42	1	S	25	26	-	1.0	2.9
160	167	2	2012	50	3	S	44	32	12.0	-	3.9
160	167	3	2517	60	3	S	63	45	18.0	-	4.9
160	167	4	2517	60	5	S	82	45	18.5	18.5	5.8
160	167	5	2517	60	5	S	101	45	28.0	28.0	6.7
160	167	6	3020	75	5	S	120	52	34.0	34.0	6.5
160	167	8	3020	75	5	S	158	52	53.0	53.0	8.5
170	177	1	1610	42	1	S	25	25	-	1.0	3.3
170	177	2	2012	50	3	S	44	32	12.0	-	4.5
170	177	3	2517	60	3	S	63	45	18.0	-	5.8
170	177	4	2517	60	5	S	82	45	18.5	18.5	6.7
170	177	5	3020	75	5	S	101	52	24.5	24.5	6.8
170	177	6	3020	75	5	S	120	52	34.0	34.0	7.8
170	177	8	3030	75	5	S	158	77	40.5	40.5	11.0
180	187	1	1610	42	1	S	25	26	-	1.0	3.8
180	187	2	2517	60	1	S	44	45	-	1.0	5.3
180	187	3	2517	60	3	S	63	45	18.0	-	6.7
180	187	4	2517	60	5	S	82	45	18.5	18.5	7.7
180	187	5	3020	75	5	S	101	52	24.5	24.5	8.0
180	187	6	3020	75	5	S	120	52	34.0	34.0	9.0
180	187	8	3030	75	5	S	158	77	40.5	40.5	12.0

Pulley Configuration: S = Solid, P = Plate, A = Arm.



SPB

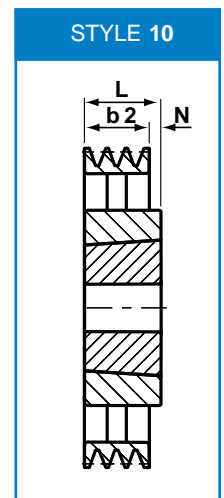
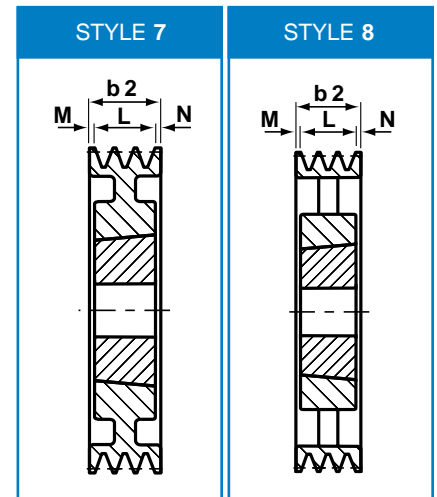
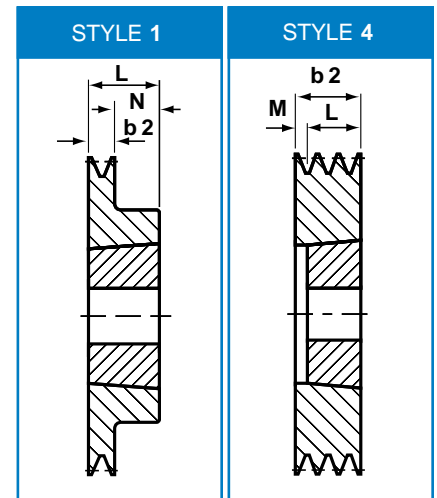


Pitch Dia. dw mm	Outside Dia. du mm	Groove No.	Bush Size	Max Bore mm	Pulley Style	Pulley Config.	Rim Width b2 mm	L mm	M mm	N mm	Weight kg
190	197	1	2012	50	1	S	25	32	-	7.0	4.4
190	197	2	2517	60	1	S	44	45	-	1.0	6.5
190	197	3	2517	60	3	S	63	45	18.0	-	7.6
190	197	4	2517	60	5	S	82	45	18.5	18.5	8.7
190	197	5	3020	75	5	S	101	52	24.5	24.5	9.1
190	197	6	3020	75	5	S	120	52	34.0	34.0	10.0
190	197	8	3030	75	5	S	158	77	40.5	40.5	13.0
200	207	1	2012	50	1	P	25	32	-	7.0	4.4
200	207	2	2517	60	1	S	44	45	-	1.0	7.5
200	207	3	2517	60	4	S	63	45	-	18.0	8.8
200	207	4	3020	75	4	S	82	52	-	30.0	9.4
200	207	5	3020	75	5	S	101	52	24.5	24.5	10.0
200	207	6	3020	75	5	S	120	52	34.0	34.0	12.0
200	207	8	3535	90	5	S	158	89	34.5	34.5	15.0
212	219	1	2012	50	1	P	25	32	-	7.0	4.1
212	219	2	2517	60	1	P	44	45	-	1.0	5.9
212	219	3	2517	60	4	P	63	45	-	18.0	7.4
212	219	4	3020	75	4	S	82	52	-	30.0	11.0
212	219	5	3020	75	5	S	101	52	24.5	24.5	12.0
212	219	6	3535	90	5	S	120	89	15.5	15.5	15.0
212	219	8	3535	90	5	S	158	89	34.5	34.5	18.0
224	231	1	2012	50	1	P	25	32	-	7.0	4.5
224	231	2	2517	60	1	P	44	45	-	1.0	6.4
224	231	3	2517	60	4	P	63	45	-	18.0	8.0
224	231	4	3020	75	4	S	82	52	-	30.0	12.0
224	231	5	3020	75	5	S	101	52	24.5	24.5	14.0
224	231	6	3535	90	5	S	120	89	15.5	15.5	18.0
224	231	8	3535	90	5	S	158	89	34.5	34.5	21.0
224	231	10	3535	90	5	S	196	89	53.5	53.5	23.0
236	243	1	2012	50	1	P	25	32	-	7.0	4.9
236	243	2	2517	60	1	P	44	45	-	1.0	6.9
236	243	3	2517	60	4	P	63	45	-	18.0	8.3
236	243	4	3020	75	4	S	82	52	-	30.0	14.0
236	243	5	3535	90	4	S	101	89	-	12.0	19.0
236	243	6	3535	90	5	S	120	89	15.5	15.5	21.0
236	243	8	3535	90	5	S	158	89	34.5	34.5	24.0
236	243	10	3535	90	5	S	196	89	53.5	53.5	26.0
250	257	1	2012	50	1	P	25	32	-	7.0	5.5
250	257	2	2517	60	1	P	44	45	-	1.0	7.3
250	257	3	3020	75	4	P	63	52	-	11.0	10.0
250	257	4	3020	75	4	P	82	52	-	30.0	12.0
250	257	5	3535	90	4	S	101	89	-	12.0	23.0
250	257	6	3535	90	5	S	120	89	15.5	15.5	24.0
250	257	8	3535	90	5	S	158	89	34.5	34.5	27.0
250	257	10	3535	90	5	S	196	89	53.5	53.5	31.0
280	287	1	2012	50	1	P	25	32	-	7.0	6.5
280	287	2	2517	60	4	P	44	45	-	1.0	9.1
280	287	3	3020	75	4	P	63	52	-	11.0	12.0
280	287	4	3020	75	7	P	82	52	15.5	15.5	14.0
280	287	5	3535	90	7	P	101	89	6.0	6.0	20.0
280	287	6	3535	90	7	P	120	89	15.5	15.5	22.0
280	287	8	3535	90	7	P	158	89	34.5	34.5	25.0
280	287	10	3535	90	7	P	196	89	53.5	53.5	29.0
300	307	1	2012	50	1	P	25	32	-	7.0	6.8
300	307	2	2517	60	4	P	44	45	-	1.0	8.6
300	307	3	3020	60	4	P	63	52	-	11.0	9.8
300	307	4	3535	90	4	P	82	89	-	7.0	14.5
300	307	5	3535	90	7	P	101	89	6.0	6.0	19.5
300	307	6	3535	90	7	P	120	89	15.5	15.5	22.0
300	307	8	3535	90	7	P	158	89	34.5	34.5	41.0
300	307	10	3535	90	7	P	196	89	53.5	53.5	33.0

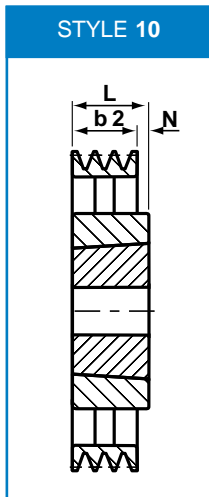
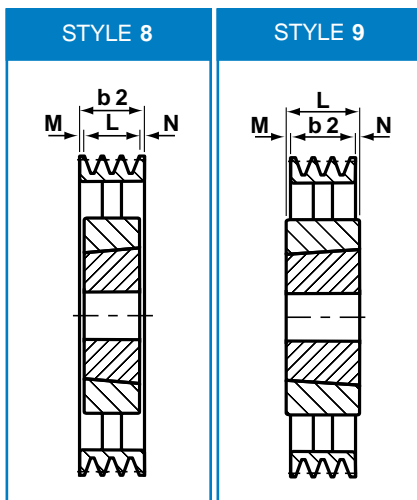
Pulley Configuration: S = Solid, P = Plate, A = Arm.

Pitch Dia. dw mm	Outside Dia. du mm	Groove No.	Bush Size	Max Bore mm	Pulley Style	Pulley Config.	Rim Width b2 mm	L mm	M mm	N mm	Weight kg
315	322	1	2012	50	1	P	25	32	-	7.0	7.9
315	322	2	2517	60	1	P	44	45	-	1.0	11.0
315	322	3	3020	75	4	P	63	52	-	11.0	14.0
315	322	4	3535	90	4	P	82	89	-	7.0	20.0
315	322	5	3535	90	7	P	101	89	6.0	6.0	23.0
315	322	6	3535	90	7	P	120	89	15.5	15.5	25.0
315	322	8	3535	90	7	P	158	89	34.5	34.5	29.0
315	322	10	3535	90	7	P	196	89	53.5	53.5	33.0
335	342	2	2517	60	1	P	44	45	-	7.0	11.3
335	342	3	3020	75	4	P	63	52	-	11.0	12.0
335	342	4	3535	90	4	P	82	89	-	7.0	18.4
335	342	5	3535	90	7	P	101	89	6.0	6.0	19.6
335	342	6	3535	90	7	A	120	89	15.5	15.5	22.0
335	342	8	3535	90	7	P	158	89	34.5	34.5	29.0
335	342	10	4040	100	7	P	196	102	47.0	47.0	37.0
355	362	2	3020	75	1	P	44	52	-	8.0	14.0
355	362	3	3020	75	4	P	63	52	-	11.0	17.0
355	362	4	3535	90	4	P	82	89	-	7.0	24.0
355	362	5	3535	90	7	P	101	89	6.0	6.0	26.0
355	362	6	3535	90	7	P	120	89	15.5	15.5	29.0
355	362	8	3535	90	7	P	158	89	34.5	34.5	34.0
355	362	10	4040	100	7	P	196	102	47.0	47.0	41.0
400	407	2	3020	75	10	A	44	52	-	8.0	11.4
400	407	3	3535	90	10	A	63	89	-	26.0	17.0
400	407	4	3535	90	10	A	82	89	-	7.0	22.0
400	407	5	3535	90	8	A	101	89	6.0	6.0	25.5
400	407	6	3535	90	8	A	120	89	15.5	15.5	28.5
400	407	8	4040	100	7	P	158	102	28.0	28.0	41.0
400	407	10	4040	100	7	P	196	102	47.0	47.0	46.0
450	457	2	3020	75	10	A	44	52	-	8.0	14.0
450	457	3	3535	90	10	A	63	89	-	26.0	22.0
450	457	4	3535	90	10	A	82	89	-	7.0	25.5
450	457	5	3535	90	8	A	101	89	6.0	6.0	29.0
450	457	6	4040	100	8	A	120	102	9.0	9.0	35.0
450	457	8	4040	100	7	P	158	102	28.0	28.0	52.0
450	457	10	4545	110	7	P	196	114	41.0	41.0	56.0
500	507	2	3020	75	10	A	44	52	-	8.0	15.5
500	507	3	3535	90	10	A	63	89	-	26.0	24.0
500	507	4	3535	90	10	A	82	89	-	7.0	28.0
500	507	5	3535	90	8	A	101	89	6.0	6.0	32.0
500	507	6	4040	100	8	A	120	102	9.0	9.0	49.0
500	507	8	4040	100	8	A	158	102	28.0	28.0	58.0
500	507	10	4545	110	8	A	196	114	41.0	41.0	58.0
560	567	2	3020	75	10	A	44	52	-	8.0	25.0
560	567	3	3535	90	10	A	63	89	-	26.0	26.0
560	567	4	3535	90	10	A	82	89	-	7.0	31.0
560	567	5	4040	100	10	A	101	102	-	1.0	39.0
560	567	6	4040	100	8	A	120	102	9.0	9.0	42.5
560	567	8	4545	110	8	A	158	114	22.0	22.0	59.0
560	567	10	4545	110	8	A	196	114	41.0	41.0	66.0
630	637	2	3030	75	10	A	44	77	-	33.0	19.3
630	637	3	3535	90	10	A	63	89	-	26.0	31.0
630	637	4	3535	90	10	A	82	89	-	7.0	36.5
630	637	5	4040	100	10	A	101	102	-	1.0	44.5
630	637	6	4040	100	8	A	120	102	9.0	9.0	51.0
630	637	8	4545	110	8	A	158	114	22.0	22.0	66.0
630	637	10	4545	110	8	A	196	114	41.0	41.0	75.0

Pulley Configuration: S = Solid, P = Plate, A = Arm.



SPB

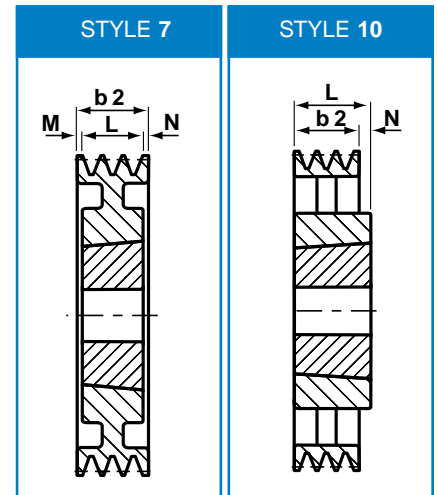
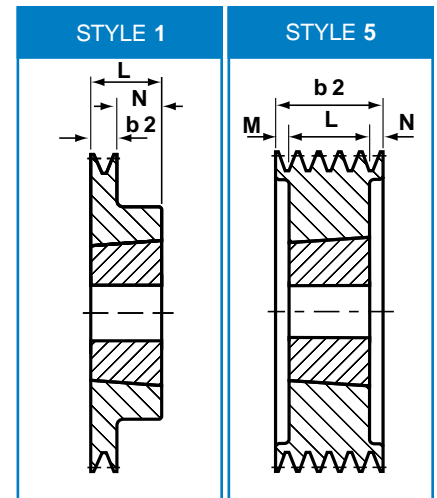


Pitch Dia. dw mm	Outside Dia. du mm	Groove No.	Bush Size	Max Bore mm	Pulley Style	Pulley Config.	Rim Width b2 mm	L mm	M mm	N mm	Weight kg
710	707	3	3535	90	10	A	63	89	-	26.0	36.0
710	717	4	3535	90	10	A	82	89	-	7.0	41.0
710	717	5	4040	100	10	A	101	102	-	1.0	51.0
710	717	6	4545	110	10	A	114	120	-	6.0	59.0
710	717	8	4545	110	8	A	158	114	22.0	22.0	78.0
710	717	10	4545	110	8	A	196	114	41.0	41.0	88.0
800	807	3	3535	90	10	A	63	89	-	26.0	38.0
800	807	4	4040	100	10	A	82	102	-	20.0	48.0
800	807	5	4040	100	10	A	101	102	-	1.0	56.0
800	807	6	4545	110	10	A	114	120	-	6.0	66.0
800	807	8	4545	110	8	A	158	114	22.0	22.0	100.0
800	807	10	4545	110	8	A	196	114	41.0	41.0	110.0
900	907	3	3535	90	10	A	63	89	-	26.0	50.0
900	907	4	4040	100	10	A	82	102	-	20.0	88.0
900	907	5	4545	110	9	A	101	114	6.5	6.5	114.0
900	907	6	4545	110	10	A	114	120	-	6.0	120.0
900	907	8	4545	110	8	A	158	114	22.0	22.0	132.0
900	907	10	5050	125	8	A	196	127	34.5	34.5	140.0
1000	1007	3	4040	100	10	A	63	102	-	39.0	70.0
1000	1007	4	4040	100	10	A	82	102	-	20.0	78.0
1000	1007	5	4545	110	9	A	101	114	6.5	6.5	93.0
1000	1007	6	4545	110	10	A	114	120	-	6.0	100.0
1000	1007	8	5050	125	8	A	158	127	15.5	15.5	140.0
1000	1007	10	5050	125	8	A	196	127	34.5	34.5	150.0
1250	1257	3	4040	100	9	A	63	102	19.5	19.5	75.0
1250	1257	4	4545	110	9	A	82	114	16.0	16.0	158.0
1250	1257	5	4545	110	9	A	101	114	6.5	6.5	179.0
1250	1257	6	5050	125	10	A	120	127	-	7.0	180.0
1250	1257	8	5050	125	8	A	158	127	15.5	15.5	224.0
1250	1250	10	5050	125	8	A	196	127	35.0	35.0	320.0

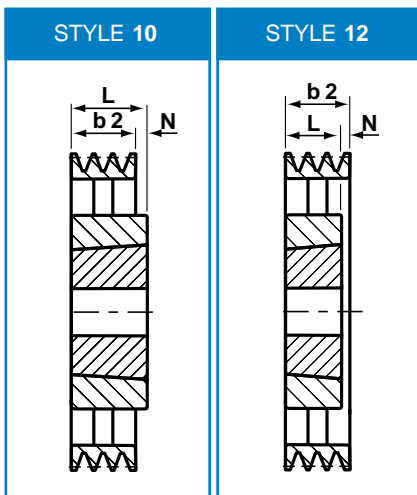
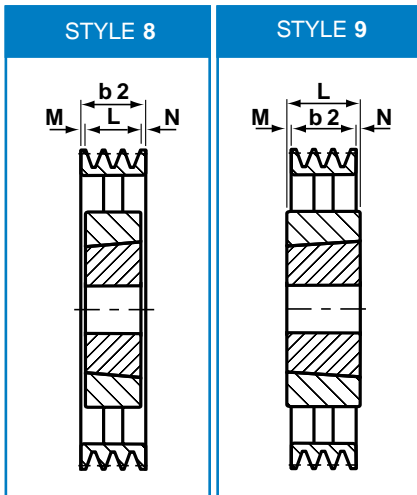
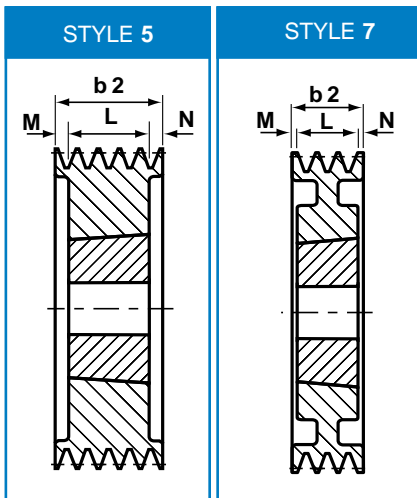
Pulley Configuration: S = Solid, P = Plate, A = Arm.

Pitch Dia. dw mm	Outside Dia. du mm	Groove No.	Bush Size	Max Bore mm	Pulley Style	Pulley Config.	Rim Width b2 mm	L mm	M mm	N mm	Weight kg
200	209.5	3	2517	65	5	S	85	45	20.00	20.00	10.2
200	209.5	4	3020	75	5	S	110.5	52	29.25	29.25	11.0
200	209.5	5	3535	90	5	S	136	89	23.50	23.50	12.5
200	209.5	6	3535	90	5	S	161.5	89	36.25	36.25	17.5
212	221.5	3	3020	65	5	S	85	52	16.50	16.50	11.0
212	221.5	4	3020	75	5	S	110.5	51	29.75	29.75	13.5
212	221.5	5	3535	90	5	S	136	89	23.50	23.50	14.5
212	221.5	6	3535	90	5	S	161.5	89	36.25	36.25	19.0
224	233.5	3	3020	75	5	S	85	52	16.50	16.50	12.0
224	233.5	4	3535	90	5	S	110.5	89	10.75	10.75	16.0
224	233.5	5	3535	90	5	S	136	89	23.50	23.50	18.0
224	233.5	6	3535	90	5	S	161.5	89	36.25	36.25	20.0
224	233.5	8	3535	90	5	S	212.5	89	61.75	61.75	25.0
236	245.5	3	3020	75	5	S	85	52	16.50	16.50	14.0
236	245.5	4	3535	90	5	S	110.5	89	10.75	10.75	19.0
236	245.5	5	3535	90	5	S	136	89	23.50	23.50	21.0
236	245.5	6	3535	90	5	S	161.5	89	36.25	36.25	23.0
236	245.5	8	3535	90	5	S	212.5	89	61.75	61.75	28.0
250	259.5	3	3020	75	7	P	85	52	16.50	16.50	13.0
250	259.5	4	3535	90	5	S	110.5	89	10.75	10.75	22.0
250	259.5	5	3535	90	5	S	136	89	23.50	23.50	25.0
250	259.5	6	3535	90	5	S	161.5	89	36.25	36.25	27.0
250	259.5	8	3535	90	5	S	212.5	89	61.75	61.75	32.0
265	274.5	3	3535	90	1	P	85	89	-	4.00	24.0
265	274.5	4	3535	90	5	S	110.5	89	10.75	10.75	26.0
265	274.5	5	3535	90	5	S	136	89	23.50	23.50	29.0
265	274.5	6	3535	90	5	S	161.5	89	36.25	36.25	31.0
265	274.5	8	3535	90	5	S	212.5	89	61.75	61.75	36.0
265	274.9	10	4040	100	5	S	263.5	102	80.75	80.75	60.0
280	289.5	3	3535	90	1	P	85	89	-	4.00	19.0
280	289.5	4	3535	90	7	P	110.5	89	10.75	10.75	21.0
280	289.5	5	3535	90	7	P	136	89	23.50	23.50	24.0
280	289.5	6	3535	90	7	P	161.5	89	36.25	36.25	36.0
280	289.5	8	3535	90	7	P	212.5	89	61.75	61.75	41.0
280	289.5	10	4040	100	5	S	263.5	102	80.75	80.75	46.0
300	309.5	3	3535	90	10	P	85	89	-	4.00	21.0
300	309.5	4	3535	90	7	P	110.5	89	10.75	10.75	24.0
300	309.5	5	3535	90	7	P	136	89	23.50	23.50	24.0
300	309.5	6	3535	90	7	P	161.5	89	36.25	36.25	29.0
300	309.5	8	4040	100	5	S	212.5	102	55.25	55.25	48.0
300	309.5	10	4545	110	5	S	263.5	114	74.75	74.75	54.0
315	324.5	3	3535	90	10	P	85	89	-	4.00	21.0
315	324.5	4	3535	90	7	P	110.5	89	10.75	10.75	24.0
315	324.5	5	3535	90	7	P	136	89	23.50	23.50	28.0
315	324.5	6	3535	90	7	P	161.5	89	36.25	36.25	31.0
315	324.5	8	4040	100	5	S	212.5	102	55.25	55.25	54.0
315	324.5	10	4545	110	5	S	263.5	114	74.75	74.75	60.0
335	344.5	3	3535	90	10	P	85	89	-	4.00	24.0
335	344.5	4	3535	90	7	P	110.5	89	10.75	10.75	27.0
335	344.5	5	3535	90	7	P	136	89	23.50	23.50	31.0
335	344.5	6	3535	90	7	P	161.5	89	36.25	36.25	34.0
335	344.5	8	4040	100	7	P	212.5	102	55.25	55.25	45.0
335	344.5	10	4545	110	7	P	263.5	114	74.75	74.75	85.0
355	364.5	3	3535	90	10	P	85	89	-	4.00	26.0
355	364.5	4	3535	90	7	P	110.5	89	10.75	10.75	30.0
355	364.5	5	3535	90	7	P	136	89	23.50	23.50	34.0
355	364.5	6	3535	90	7	P	161.5	89	36.25	36.25	37.0
355	364.5	8	4040	100	7	P	212.5	102	55.25	55.25	48.0
355	364.5	10	4545	110	5	S	263.5	114	74.75	74.75	81.0

Pulley Configuration: S = Solid, P = Plate, A = Arm.



SPC



Pitch Dia. dw mm	Outside Dia. du mm	Groove No.	Bush Size	Max Bore mm	Pulley Style	Pulley Config.	Rim Width b2 mm	L mm	M mm	N mm	Weight kg
375	384.5	3	3535	90	10	P	85	89	-	4.00	29.0
375	384.5	4	3535	90	7	P	110.5	89	10.75	10.75	33.0
375	384.5	5	3535	90	7	P	136	89	23.50	23.50	36.0
375	384.5	6	4040	100	7	P	161.5	102	29.75	29.75	44.0
375	384.5	8	4545	110	7	P	212.5	114	49.25	49.25	57.0
375	484.5	10	4545	110	5	S	263.5	114	74.75	74.75	92.0
400	409.5	3	3535	90	10	P	85	89	-	4.00	31.0
400	409.5	4	3535	90	7	P	110.5	89	10.75	10.75	35.0
400	409.5	5	3535	90	7	P	136	89	23.50	23.50	40.0
400	409.5	6	4040	100	7	P	161.5	102	29.75	29.75	48.0
400	409.5	8	4545	110	7	P	212.5	114	49.25	49.25	62.0
400	409.5	10	5050	125	7	P	263.5	127	68.25	68.25	73.0
425	434.5	3	3535	90	10	P	85	89	-	4.00	37.0
425	434.5	4	3535	90	7	P	110.5	89	10.75	10.75	42.0
425	434.5	5	3535	90	7	P	136	89	23.50	23.50	46.0
425	434.5	6	4040	100	7	P	161.5	102	29.75	29.75	56.0
425	434.5	8	4545	110	7	P	212.5	114	49.25	49.25	68.0
425	434.5	10	5050	125	7	P	263.5	127	68.25	68.25	105.0
450	459.5	3	3535	90	10	A	85	89	-	4.00	34.0
450	459.5	4	3535	90	8	A	110.5	89	10.75	10.75	39.0
450	459.5	5	4040	100	8	A	136	102	17.00	17.00	49.0
450	459.5	6	4545	110	7	P	161.5	114	23.75	23.75	67.0
450	459.5	8	5050	125	7	P	212.5	127	42.75	42.75	81.0
450	459.5	10	5050	125	7	P	263.5	127	68.25	68.25	94.0
475	484.5	3	3535	90	10	A	85	89	-	4.00	30.0
475	484.5	4	3535	90	8	A	110.5	89	10.75	10.75	37.0
475	484.5	5	4040	100	8	A	136	102	17.00	17.00	48.0
475	484.5	6	4545	110	7	P	161.5	114	23.75	23.75	65.0
475	484.5	8	5050	125	7	P	212.5	127	42.75	42.75	100.0
475	484.5	10	5050	125	7	P	263.5	127	68.25	68.25	125.0
500	509.5	3	3535	90	10	A	85	89	-	4.00	31.9
500	509.5	4	3535	90	8	A	110.5	89	10.75	10.75	44.0
500	509.5	5	4040	100	8	A	136	102	17.00	17.00	54.0
500	509.5	6	4545	110	8	A	161.5	114	23.75	23.75	67.0
500	509.5	8	5050	125	7	P	212.5	127	42.75	42.75	91.0
500	509.5	10	5050	125	7	P	263.5	127	68.25	68.25	111.0
530	539.5	3	3535	90	10	A	85	89	-	4.00	34.5
530	539.5	4	4040	100	12	A	110.5	102	-	8.50	45.0
530	539.5	5	4545	110	8	A	136	114	11.00	11.00	56.0
530	539.5	6	5050	125	8	A	161.5	127	17.25	17.25	73.0
530	539.5	8	5050	125	7	P	212.5	127	42.75	42.75	105.0
530	539.5	10	5050	125	7	P	263.5	127	68.25	68.25	145.0
560	569.5	3	3535	90	10	A	85	89	-	4.00	37.0
560	569.5	4	4040	100	12	A	110.5	102	-	8.50	60.0
560	569.5	5	4545	110	8	A	136	114	11.00	11.00	60.0
560	569.5	6	5050	125	8	A	161.5	127	17.25	17.25	85.0
560	569.5	8	5050	125	8	A	212.5	127	42.75	42.75	101.0
560	569.5	10	5050	125	8	A	263.5	127	68.25	68.25	121.0
630	639.5	3	4040	10	9	A	85	102	8.50	8.50	49.5
630	639.5	4	4545	110	10	A	110.5	114	-	3.50	114.0
630	639.5	5	5050	125	12	A	136	127	-	9.00	91.0
630	639.5	6	5050	125	8	A	161.5	127	17.25	17.25	97.0
630	639.5	8	5050	125	8	A	212.5	127	42.75	42.75	116.0
630	639.5	10	5050	125	8	A	263.5	127	68.25	68.25	130.0
710	719.5	3	4040	10	9	A	85	102	8.50	8.50	57.0
710	719.5	4	4545	110	10	A	110.5	114	-	3.50	70.3
710	719.5	5	5050	125	12	A	136	127	-	9.00	92.0
710	719.5	6	5050	125	8	A	161.5	127	17.25	17.25	100.0
710	719.5	8	5050	125	8	A	212.5	127	42.75	42.75	130.0
710	719.5	10	5050	125	8	A	263.5	127	68.25	68.25	145.0

Pulley Configuration: S = Solid, P = Plate, A = Arm.

Pitch Dia. dw mm	Outside Dia. du mm	Groove No.	Bush Size	Max Bore mm	Pulley Style	Pulley Config.	Rim Width b2 mm	L mm	M mm	N mm	Weight kg
800	809.5	3	4545	110	9	A	85	114	14.50	14.50	65.0
800	809.5	4	5050	125	9	A	110.5	127	8.25	8.25	76.5
800	809.5	5	5050	125	12	A	136	127	-	9.00	143.0
800	809.5	6	5050	125	8	A	161.5	127	17.25	17.25	120.0
800	809.5	8	5050	125	8	A	212.5	127	42.75	42.75	150.0
800	809.5	10	5050	125	8	A	263.5	127	68.25	68.25	170.0
1000	1009.5	3	5050	125	9	A	85	127	21.00	21.00	116.0
1000	1009.5	4	5050	125	9	A	110.5	127	8.25	8.25	125.0
1000	1009.5	5	5050	125	12	A	136	127	-	9.00	143.0
1000	1009.5	6	5050	125	8	A	161.5	127	17.25	17.25	155.0
1000	1009.5	8	5050	125	8	A	212.5	127	42.75	42.75	205.0
1000	1009.5	10	5050	125	8	A	263.5	127	68.25	68.25	230.0
1250	1259.5	3	5050	125	9	A	85	127	21.00	21.00	170.0
1250	1259.5	4	5050	125	9	A	110.5	127	8.25	8.25	214.0
1250	1259.5	5	5050	125	12	A	136	127	-	9.00	187.0
1250	1259.5	6	5050	125	8	A	161.5	127	17.25	17.25	200.0
1250	1259.5	8	5050	125	8	A	212.5	127	42.75	42.75	252.0
1250	1259.5	10	5050	125	8	A	263.5	127	68.25	68.25	300.0

Pulley Configuration: S = Solid, P = Plate, A = Arm.

