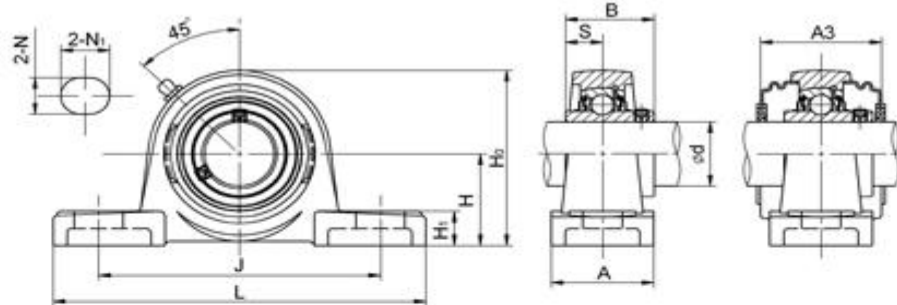


SERIE UCP200

BEARINGS

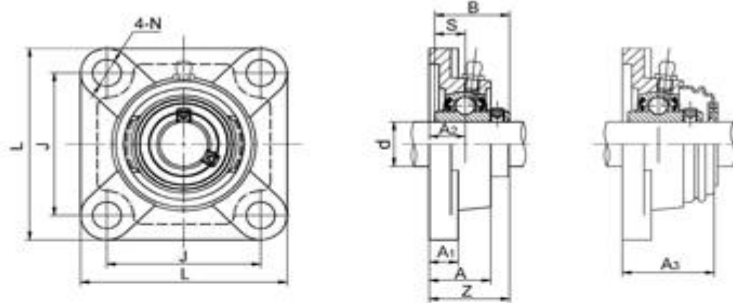


UCP200 Series

Unit No.	Shaft Dia		Dimensions(mm)										Bolt Size (mm)	Weight (kg)	
	d (in)	d (mm)	H	L	J	A	N	N1	H1	H0	B	S			A3
UCWP201 202 203		12 15 17	30.2	125	95	32	13	18	13	57	27.4	11.5		M10	0.72 0.66 0.66
UCP201 201-8	1/2	12	30.2	127	95	38	13	19	14	61	31	12.7		M10	0.76
UCP202 202-9 202-10	9/16 5/8	15	30.2	127	95	38	13	19	14	61	31	12.7		M10	0.74
UCP203 203-11	11/16	17	30.2	127	95	38	13	19	14	61	31	12.7		M10	0.72
UCP204 204-12	3/4	20	33.3	127	95	38	13	19	14	64	31	12.7	46.4	M10	0.70
UCP205 205-14 205-15 205-16	7/8 15/16 1	25	36.5	140	105	38	13	19	15	71	34.1	14.3	48	M10	0.76
UCP206 206-17 206-18 206-19 206-20	1-1/16 1-1/8 1-3/16 1-1/4	30	42.9	160	121	42	17	20	16	84	38.1	15.9	52	M14	1.25
UCP207 207-20 207-21 207-22 207-23	1-1/4 1-5/16 1-3/8 1-7/16	35	47.6	167	126	48	17	20	17	92	42.9	17.5	59	M14	1.55
UCP208 208-24 208-25	1-1/2 1-9/16	40	49.2	181	137	53	17	20	18	99	49.2	19	68.2	M14	1.90
UCP209 209-26 209-27 209-28	1-5/8 1-11/16 1-3/4	45	54	190	146	54	17	20	20	106	49.2	19	70	M14	2.20
UCP210 210-30 210-31 210-32	1-7/8 1-15/16 2	50	57.2	206	159	60	20	23	21	114	51.6	19	76	M16	2.75
UCP211 211-32 211-34 211-35	2 2-1/8 2-3/16	55	63.5	220	172	60	20	23	23	125	55.6	22.2	76	M16	3.30
UCP212 212-36 212-38 212-39	2-1/4 2-3/8 2-7/16	60	69.9	241	186	70	20	23	25	137	65.1	25.4	89	M16	4.70
UCP213 213-40	2-1/2	65	76.2	262	203	70	25	28	26	149	65.1	25.4	89	M20	5.60
UCP214 214-44	2-3/4	70	79.4	266	210	72	25	28	28	157	74.6	30.2	98	M20	6.60
UCP215 215-47 215-48	2-15/16 3	75	82.6	272	217	72	25	28	28	159	77.8	33.3	97	M20	7.30
UCP216		80	88.9	292	232	80	25	30	30	174	82.6	33.3	110	M20	9.00
UCP217 217-52	3-1/4	85	95.2	310	247	82	25	28	32	185	85.7	34.1	114.2	M20	10.80
UCP218 218-56	3-1/2	90	101.6	324	262	87	27	30	33	197	96	39.7	124	M22	13.00
UCP220		100	115	380	305	95	30	36	40	225	108	42		M24	16.00

NOTE: 1 Grease fittings available at 90° and 45° positions.
2 Open / Close (S/SM) covers are optional

SERIE UCF200

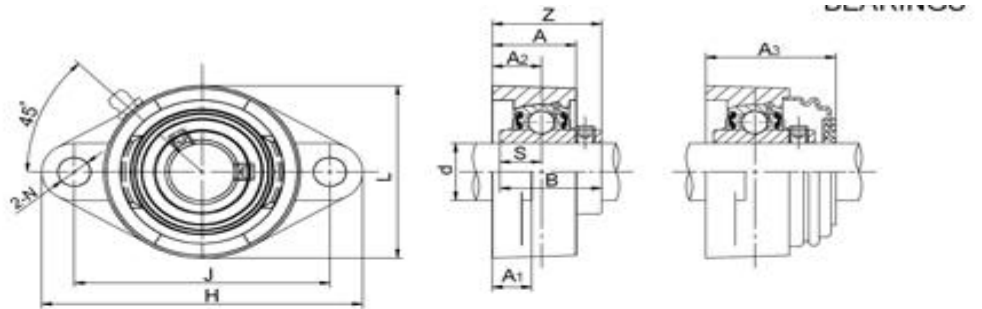


UCF200 Series

Unit No.	Shaft Dia		Dimensions(mm)										Bolt Size (mm)	Weight (kg)
	d (in)	d (mm)	L	J	A ₂	A ₁	A	N	B	S	Z	A ₃		
UCWF201 202 203		12 15 17	76	54	15	11	25.5	12	27.4	11.5	30.9		M10	0.72 0.62 0.61
UCF201 201-8	1/2	12	86	64	15	12	25.5	12	31	12.7	33.3		M10	0.61
UCF202 202-9 202-10	9/16 5/8	15	86	64	15	12	25.5	12	31	12.7	33.3		M10	0.61
UCF203 203-11	11/16	17	86	64	15	12	25.5	12	31	12.7	33.3		M10	0.61
UCF204 204-12	3/4	20	86	64	15	12	25.5	12	31	12.7	33.3	38.2	M10	0.61
UCF205 205-14 205-15 205-16	7/8 15/16 1	25	95	70	16	14	27	12	34.1	14.3	35.8	40	M10	0.80
UCF206 206-17 206-18 206-19 206-20	1-1/16 1-1/8 1-3/16 1-1/4	30	108	83	18	14	31	12	38.1	15.9	40.2	44	M10	1.00
UCF207 207-20 207-21 207-22 207-23	1-1/4 1-5/16 1-3/8 1-7/16	35	117	92	19	16	34	14	42.9	17.5	44.4	48.5	M12	1.40
UCF208 208-24 208-25	1-1/2 1-9/16	40	130	102	21	16	36	16	49.2	19	51.2	55.1	M14	1.80
UCF209 209-26 209-27 209-28	1-5/8 1-11/16 1-3/4	45	137	105	22	18	38	16	49.2	19	52.2	57	M14	2.20
UCF210 210-30 210-31 210-32	1-7/8 1-15/16 2	50	143	111	22	18	40	16	51.6	19	54.6	60	M14	2.40
UCF211 211-32 211-34 211-35	2 2-1/8 2-3/16	55	162	130	25	20	43	19	55.6	22.2	58.4	63	M16	3.50
UCF212 212-36 212-38 212-39	2-1/4 2-3/8 2-7/16	60	175	143	29	20	48	19	65.1	25.4	68.7	73.5	M16	4.20
UCF213 213-40	2-1/2	65	187	149	30	22	50	19	65.1	25.4	69.7	74.5	M16	5.30
UCF214 214-44	2-3/4	70	193	152	31	22	54	19	74.6	30.2	75.4	80	M16	5.90
UCF215 215-47 215-48	2-15/16 3	75	200	159	34	22	56	19	77.8	33.3	78.5	82.5	M16	6.30
UCF216 217-52	80 85	80 85	208 220	165 175	34 36	22 24	58 63	23 23	82.6 85.7	33.3 34.1	83.3 87.6	89 92.1	M20 M20	7.30 8.90
UCF218 218-56	3-1/2	90	235	187	40	25	68	23	96	39.7	96.3	102	M20	11.60

NOTE: 1 Open / Close (S/SM) covers are optional

SERIE UCFL200

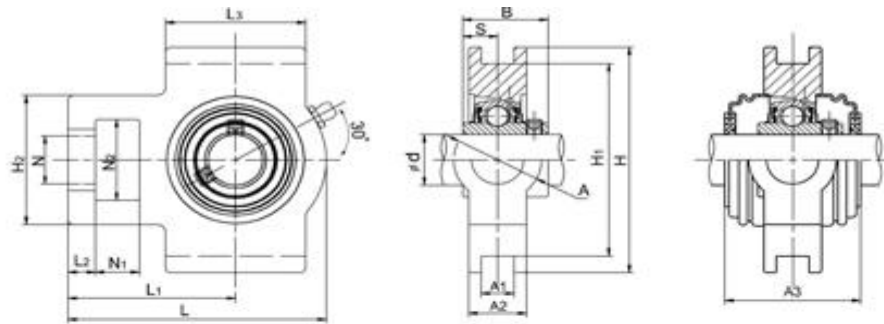


UCFL200 Series

Unit No.	Shaft Dia		Dimensions(mm)											Bolt Size (mm)	Weight (kg)
	(in)	(mm)	H	J	A ₂	A ₁	A	N	L	B	S	Z	A ₃		
UCWFL201 202 203		12 15 17	97	76.5	15	11	25.5	11.5	55	27.4	11.5	30.9		M10	0.52 0.48 0.37
UCFL201 201-8	1/2	12	113	90	15	11	25.5	12	60	31	12.7	33.3		M10	0.51
UCFL202 202-9 202-10	9/16 5/8	15	113	90	15	11	25.5	12	60	31	12.7	33.3		M10	0.51
UCFL203 203-11	11/16	17	113	90	15	11	25.5	12	60	31	12.7	33.3		M10	0.51
UCFL204 204-12	3/4	20	113	90	15	11	25.5	12	60	31	12.7	33.3	38.2	M10	0.51
UCFL205 205-14 205-15 205-16	7/8 15/16 1	25	130	99	16	13	27	16	68	34.1	14.3	35.8	40	M14	0.6
UCFL206 206-17 206-18 206-19 206-20	1-1/16 1-1/8 1-3/16 1-1/4	30	148	117	18	13	31	16	80	38.1	15.9	40.2	44	M14	0.9
UCFL207 207-20 207-21 207-22 207-23	1-1/4 1-5/16 1-3/8 1-7/16	35	160	130	19	15	34	16	90	42.9	17.5	44.4	48.5	M14	1.2
UCFL208 208-24 208-25	1-1/2 1-9/16	40	175	144	21	15	36	16	100	49.2	19	51.2	55.1	M14	1.5
UCFL209 209-26 209-27 209-28	1-5/8 1-11/16 1-3/4	45	188	148	22	16	38	19	108	49.2	19	52.2	57	M16	1.9
UCFL210 210-30 210-31 210-32	1-7/8 1-15/16 2	50	197	157	22	16	40	19	115	51.6	19	54.6	60	M16	2.2
UCFL211 211-32 211-34 211-35	2 2-1/8 2-3/16	55	224	184	25	18	43	19	125	55.6	22.2	58.4	63	M16	3.0
UCFL212 212-36 212-38 212-39	2-1/4 2-3/8 2-7/16	60	250	202	29	18	48	23	140	65.1	25.4	68.7	73.5	M20	4.0
UCFL213 213-40	2-1/2	65	258	210	30	22	50	23	155	65.1	25.4	69.7	74.5	M20	5.0
UCFL214 214-44	2-3/4	70	265	216	31	22	54	23	160	74.6	30.2	75.4	80	M20	5.6
UCFL215 215-47 215-48	2-15/16 3	75	275	225	34	22	56	23	165	77.8	33.3	78.5	82.5	M20	6.2
UCFL216 217-52	3-1/4	80 85	290 305	233 248	34 36	22 24	58 63	25 25	180 190	82.6 85.7	33.3 34.1	83.3 87.6	89 93.1	M22 M22	7.8 9.8
UCFL218 218-56	3-1/2	90	320	265	40	24	68	25	205	96	39.7	96.3	102	M22	12.4

NOTE: 1 Open / Close (S/SM) covers are optional

SERIE UCT200



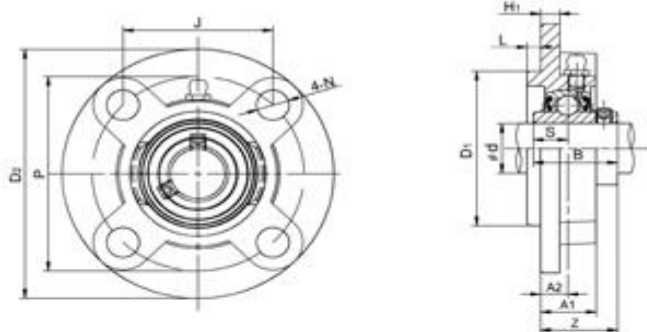
UCT200 Series

Unit No.	Shaft Dia		Dimensions(mm)																Weight (kg)
	d (in)	d (mm)	N1	L2	H2	N2	N	L3	A1	H1	H	L	A	A2	L1	B	S	A3	
UCWT201 202 203		12 15 17	15	9	46	31	18	46	12	70	82	88	30	21	58	27.4	11.5		
UCT201 201-8	1/2	12	16	10	51	32	19	51	12	76	89	94	32	21	61	31	12.7	0.80	
UCT202 202-9 202-10	9/16 5/8	15	16	10	51	32	19	51	12	76	89	94	32	21	61	31	12.7	0.79	
UCT203 203-11	11/16	17	16	10	51	32	19	51	12	76	89	94	32	21	61	31	12.7	0.78	
UCT204 204-12	3/4	20	16	10	51	32	19	51	12	76	89	94	32	21	61	31	12.7	46.4	0.72
UCT205 205-14 205-15 205-16	7/8 15/16 1	25	16	10	51	32	19	51	12	76	89	97	32	24	62	34.1	14.3	48	0.8
UCT206 206-17 206-18 206-19 206-20	1-1/16 1-1/8 1-3/16 1-1/4	30	16	10	56	37	22	57	12	89	102	113	37	28	70	38.1	15.9	23	1.26
UCT207 207-20 207-21 207-22 207-23	1-1/4 1-5/16 1-3/8 1-7/16	35	16	13	64	37	22	64	12	89	102	129	37	30	78	42.9	17.5	59	1.68
UCT208 208-24 208-25	1-1/2 1-9/16	40	19	16	83	49	29	83	16	102	114	144	49	33	88	49.2	19	68.2	2.28
UCT209 209-26 209-27 209-28	1-5/8 1-11/16 1-3/4	45	19	16	83	49	29	83	16	102	117	144	49	35	87	49.2	19	70	2.52
UCT210 210-30 210-31 210-32	1-7/8 1-15/16 2	50	19	16	83	49	29	86	16	102	117	149	49	37	90	51.6	19	76	2.75
UCT211 211-32 211-34 211-35	2 2-1/8 2-3/16	55	25	19	102	64	35	95	22	130	146	171	64	38	106	55.6	22.2	76	4.1
UCT212 212-36 212-38 212-39	2-1/4 2-3/8 2-7/16	60	32	19	102	64	35	102	22	130	146	194	64	42	119	65.1	25.4	89	4.9
UCT213 213-40	2-1/2	65	32	21	111	70	41	121	26	151	167	224	70	44	137	65.1	25.4	89	6.7
UCT214 214-44	2-3/4	70	32	21	111	70	41	121	26	151	167	224	70	46	137	74.6	30.2	98	6.9
UCT215 215-47 215-48	2-15/16 3	75	32	21	111	70	41	121	26	151	167	232	70	48	140	77.8	33.3	97	7.4
UCT216 217	80 85	80 85	32	21	111	70	41	121	26	165	184	235	70	51	140	82.6	33.3	110	8.1
UCT217 217-52	3-1/4	85	38	29	124	73	48	157	30	173	198	260	73	54	162	85.7	34.1	114.2	11
UCT218 218-56	3-1/4	90																	

NOTE: 1 Open / Close (S/SM) covers are optional

SERIE UCFC200

BEARINGS



UCFC200 Series

Unit No.	Shaft Dia		Dimensions(mm)												Bolt Size (mm)	Weight (kg)
	d (in)	d (mm)	D ₂	P	J	A ₂	N	L	H ₁	A ₁	D ₁	B	S	Z		
UCWFC201 201-8	1/2	12	90	70	49.5	10	10	4	5	19	55	27.4	11.5	25.9	M8	0.64
UCWFC202 202-9 202-10	9/16 5/8	15	90	70	49.5	10	10	4	5	19	55	27.4	11.5	25.9	M8	0.60
UCWFC203 203-11	11/16	17	90	70	49.5	10	10	4	5	19	55	27.4	11.5	25.9	M8	0.58
UCFC204 204-12	3/4	20	100	78	55.1	10	12	5	7	20.5	62	31	12.7	28.3	M10	0.75
UCFC 205 205-14 205-15 205-16	7/8 15/16 1	25	115	90	63.6	10	12	6	7	21	70	34.1	14.3	29.8	M10	1.00
UCFC206 206-17 206-18 206-19 206-20	1-1/16 1-1/8 1-3/16 1-1/4	30	125	100	70.7	10	12	8	8	23	80	38.1	15.9	32.2	M10	1.30
UCFC207 207-20 207-21 207-22 207-23	1-1/4 1-5/16 1-3/8 1-7/16	35	135	110	77.8	11	14	8	9	26	90	42.9	17.5	36.4	M12	1.75
UCFC208 208-24 208-25	1-1/2 1-9/16	40	145	120	84.8	11	14	10	9	28	100	49.2	19	41.2	M12	2.00
UCFC209 209-26 209-27 209-28	1-5/8 1-11/16 1-3/4	45	160	132	93.3	10	16	12	14	26	105	49.2	19	40.2	M14	2.50
UCFC210 210-30 210-31 210-32	1-7/8 1-15/16 2	50	165	138	97.6	10	16	12	14	28	110	51.6	19	42.6	M14	2.95
UCFC211 211-32 211-34 211-35	2 2-1/8 2-3/16	55	185	150	106.1	13	19	12	15	30	125	55.6	22.2	46.4	M16	4.00
UCFC212 212-36 212-38 212-39	2-1/4 2-3/8 2-7/16	60	195	160	113.1	17	19	12	15	35	135	65.1	25.4	56.7	M16	4.90
UCFC213 213-40	2-1/2	65	205	170	120.2	16	19	14	15	36	145	65.1	25.4	55.7	M16	5.35
UCFC214 214-44	2-3/4	70	215	177	125.1	17	19	14	18	38	150	74.6	30.2	61.4	M16	6.90
UCFC215 215-47 215-48	2-15/16 3	75	220	184	130.1	18	19	16	18	39	160	77.8	33.3	62.5	M16	7.50
UCFC216 217-52	3-1/4	80	240	200	141.4	18	23	16	18	42	170	82.6	33.3	67.3	M20	8.70
UCFC217 217-52	3-1/4	85	250	208	147.1	18	23	18	20	45	180	85.7	34.1	69.6	M20	10.30
UCFC218 218-56	3-1/2	90	265	220	155.5	22	23	18	20	50	190	96	39.7	78.3	M20	13.50